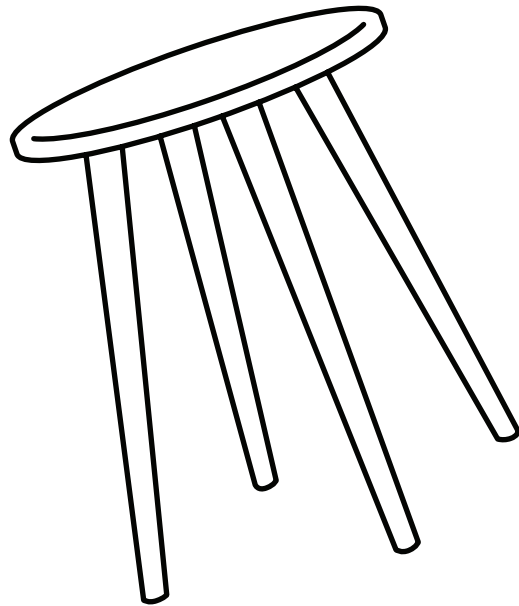
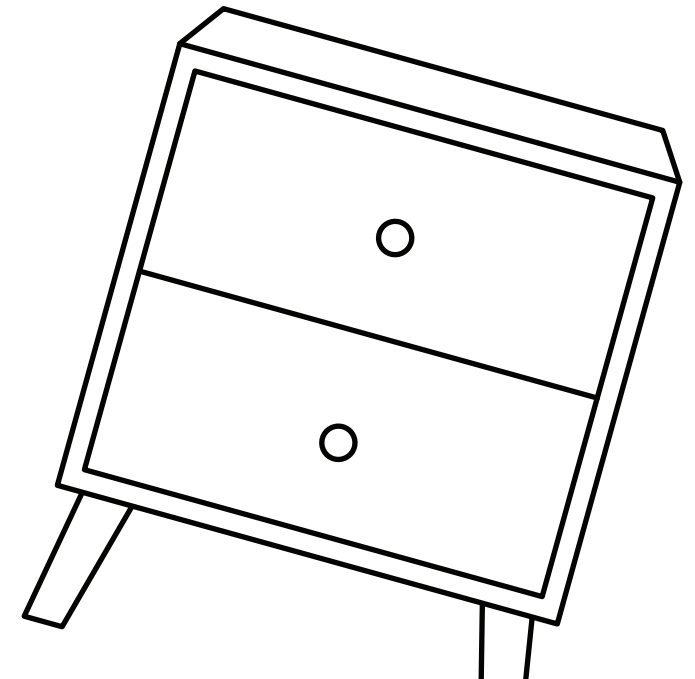


Hello,
I've arrived!

Now that I'm here you are only one
flat-pack away from transforming
your home.



Mocka.

Thank you for supporting us.

We believe design belongs to everyone. From materials and processes to safety testing, production and delivery, we are passionate and committed to bringing you the best possible product so you can create beautifully functional spaces to feel comfortably you.

Here are a few assembly tips before you get started:



Make Time

The first step to all seamless assembly is taking a moment to carefully read through the instructions—you are already on your way to creating a beautifully functional space!



Set The Mood

Put on your favourite playlist, order that pizza and pour yourself a drink to get in the mood!



Tool Check

Layout the instructions, screws and panels to check you have everything you need. A blanket or soft floor rug will help protect your new favourite item from scratches and a drill will speed up the assembly too!



Room Reveal

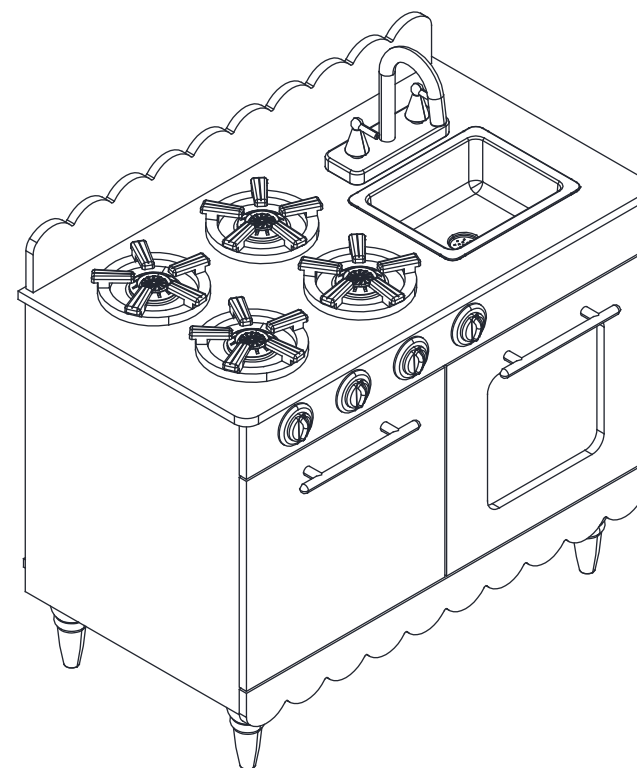
You did it! Take a step back and enjoy the moment. Don't forget to recycle any packaging and share a pic of your room reveal - we love seeing how you transform your home! Tag us @mockaaustralia/@mockaanz

Happy flat-packing!

The Mocka Team

Kids Cottage Kitchen

Thank you for purchasing the Kids Cottage Kitchen. Please follow these assembly instructions in detail.

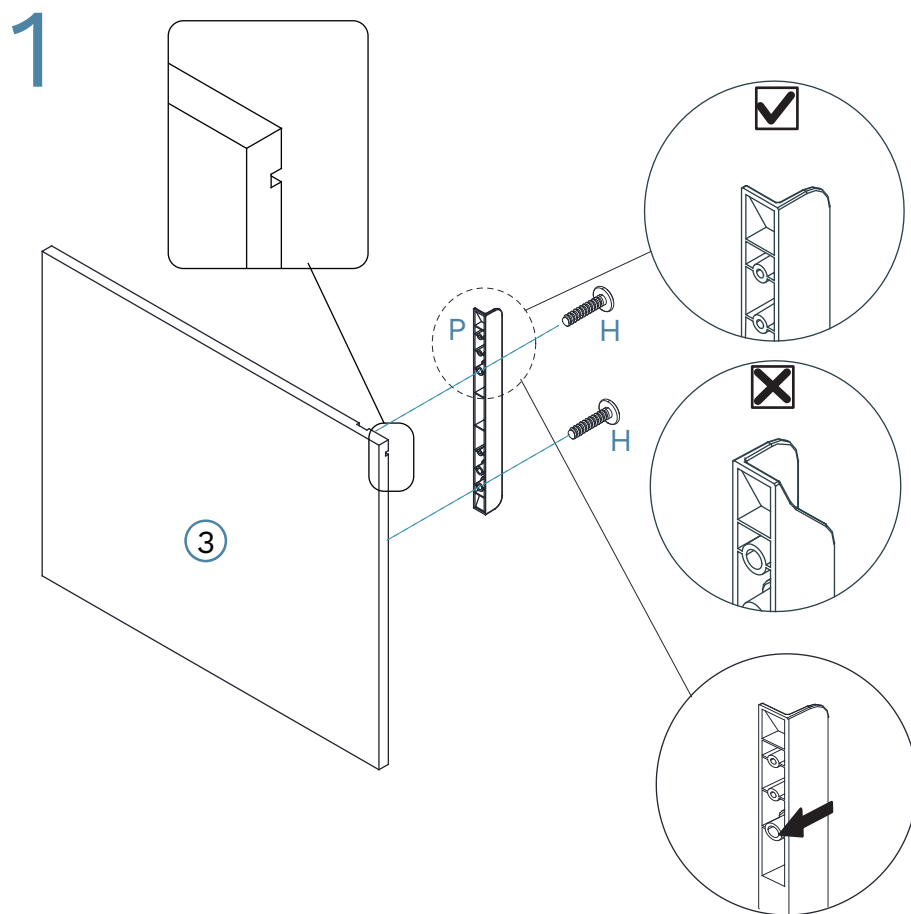


WARNING

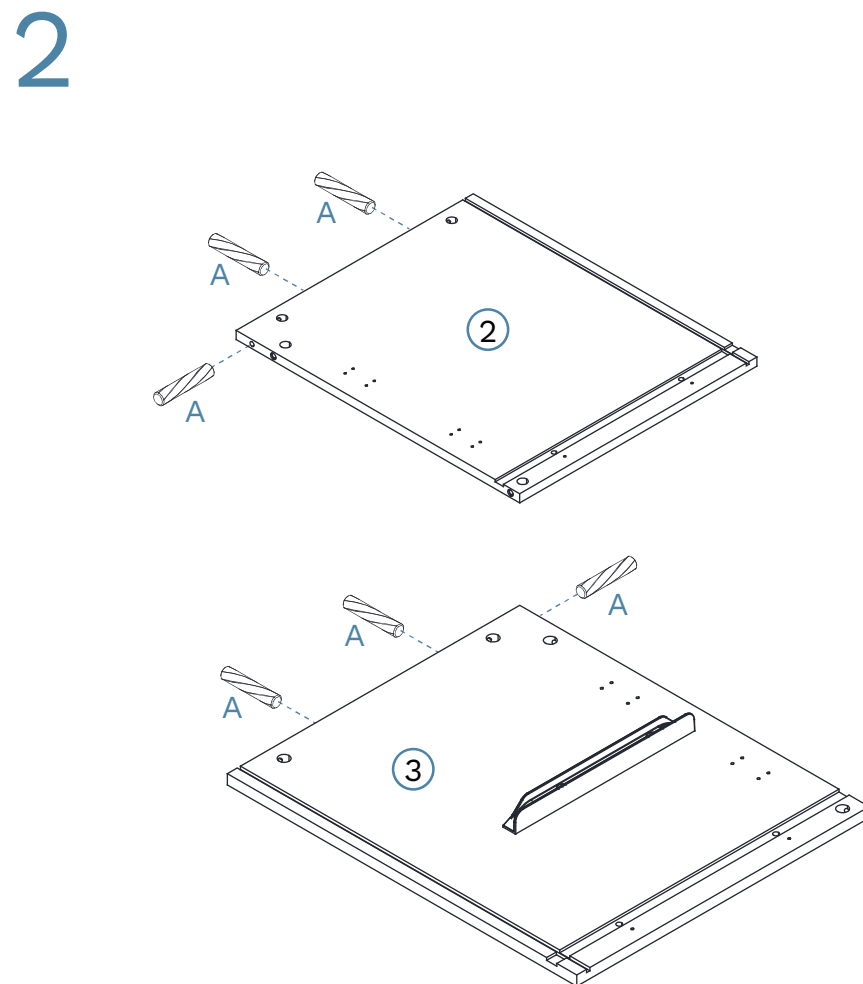
Not suitable for children under 2+ years of age.

WARNING: Small parts are used to assemble the Kids Cottage Kitchen. Only an adult should assemble the Kids Cottage Kitchen. Keep all assembly parts away from small children.

Kids Cottage Kitchen



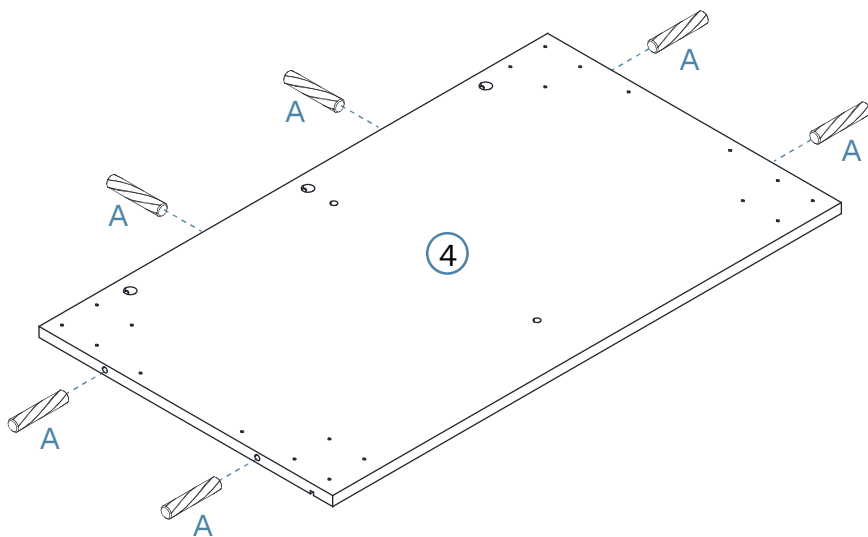
Attach 1 x rail track (P) to panel [3] and secure with 2 x screws (H).



Insert 6 x dowels (A) to panels [2] and [3] as shown.

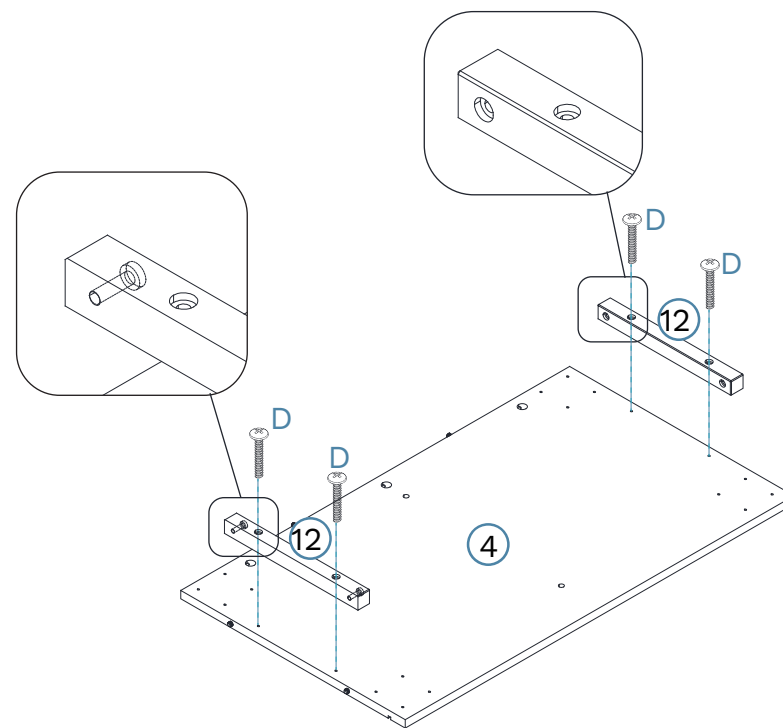
Kids Cottage Kitchen

3



Insert 6 x dowels (A) to panel [4] as shown.

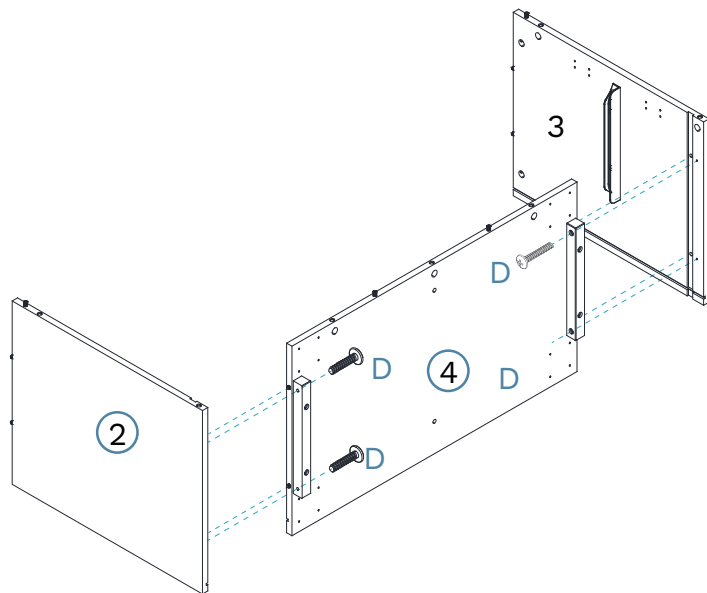
4



Attach 2 x panels [12] to panel [4] and secure with 4 x screws (D).

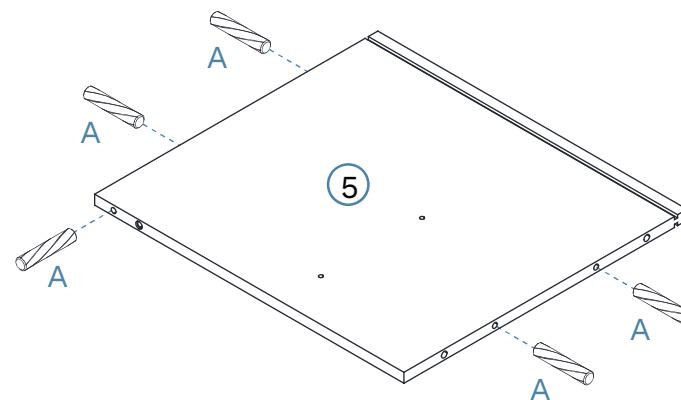
Kids Cottage Kitchen

5



Attach panels [2] and [3] to panel [4] and secure with 4 x screws (D).

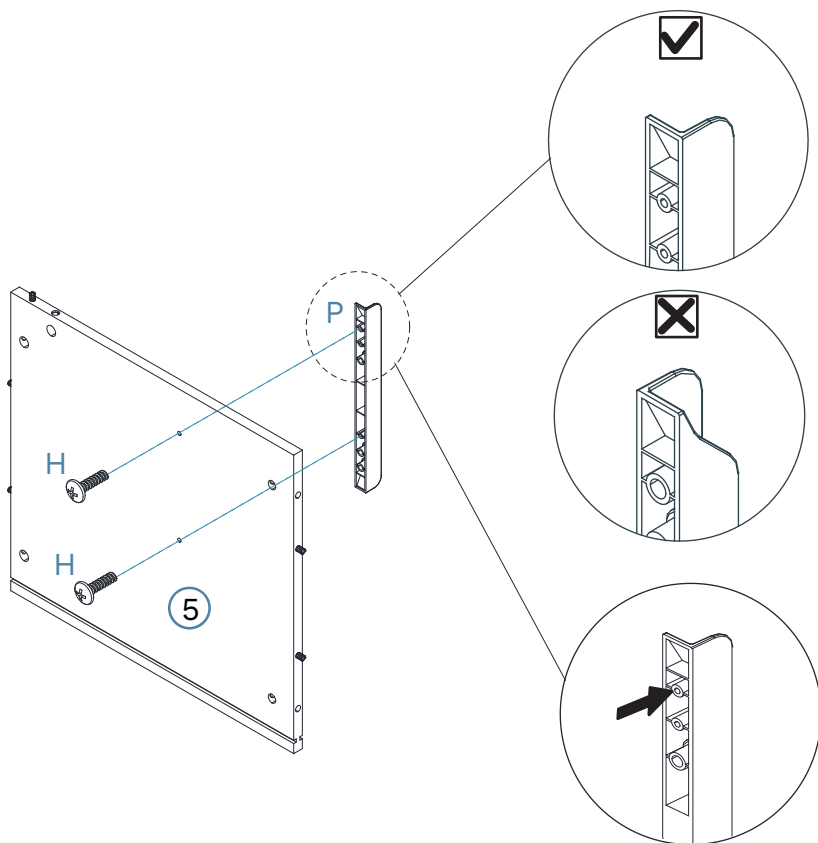
6



Insert 5 x dowels (A) to panel [5] as shown.

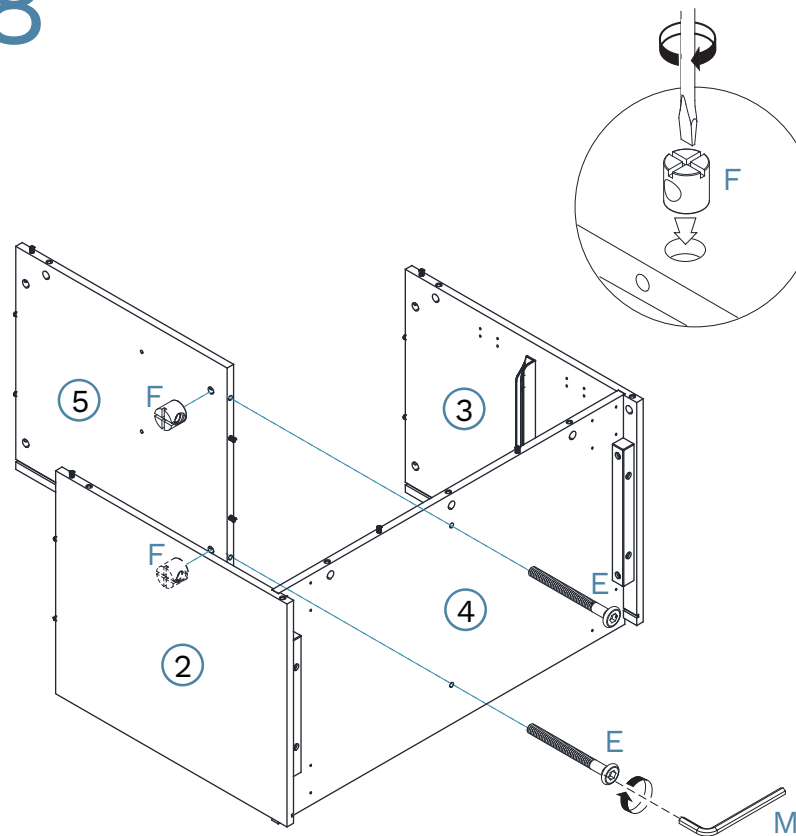
Kids Cottage Kitchen

7



Attach 1 x rail track (P) to panel [5] and secure with 2 x screws (H).

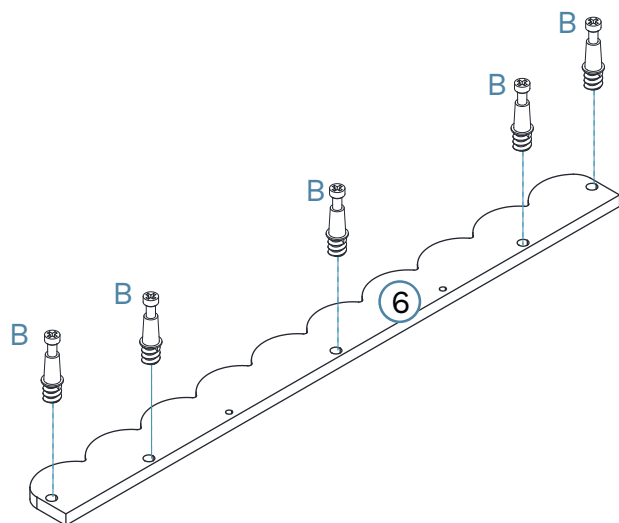
8



Insert 2 x nuts (F) to panel [5] as shown. Attach panel [5] to panel [4] and secure with 2 x screws (E) and allen key (M).

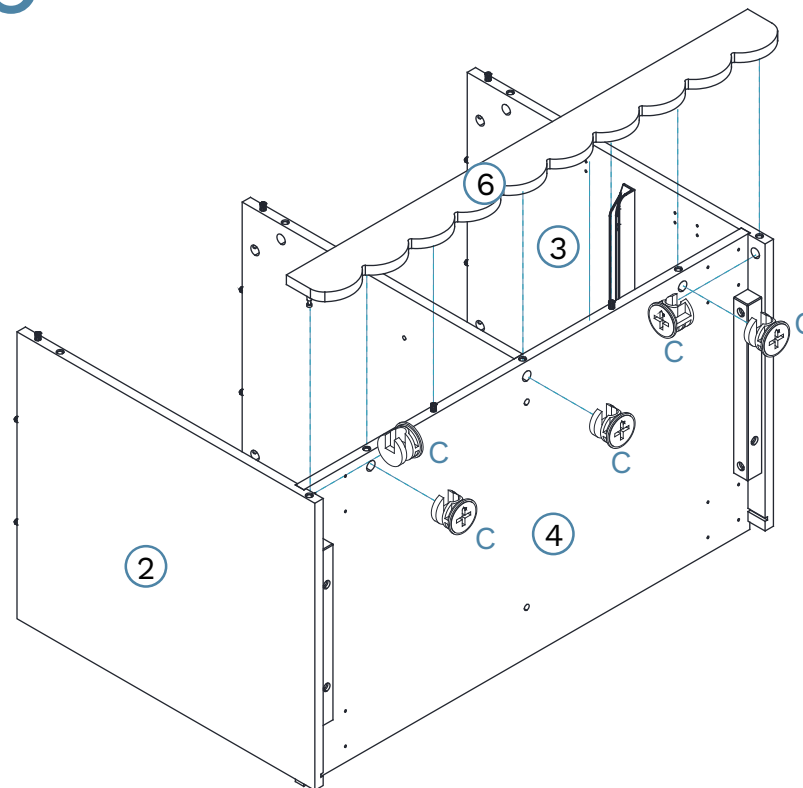
Kids Cottage Kitchen

9



Fix 5 x cam bolts (B) to panel [6].

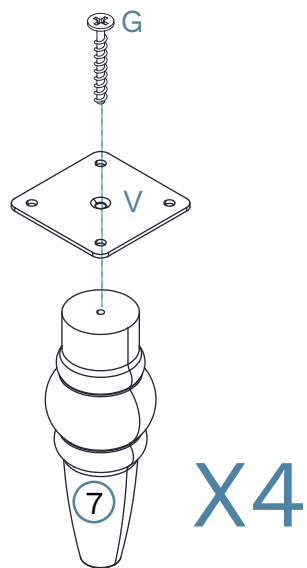
10



Attach panel [6] to step 8 assemble the piece and secure with 5 x cams (C).

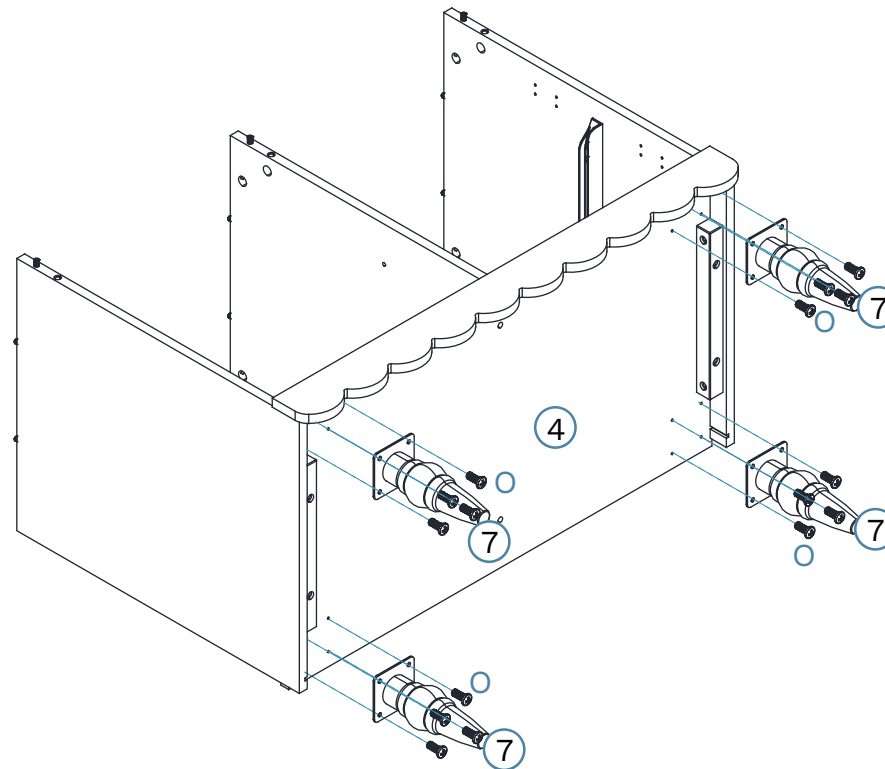
Kids Cottage Kitchen

11



Attach 1 x metal plate (V) to panel [7] and secure with 1 x screw (G).

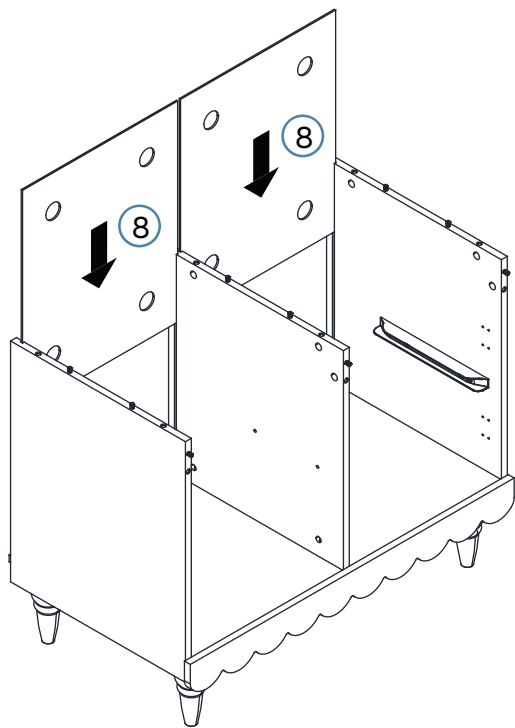
12



Attach step 11 assemble the piece to step 10 assemble the piece and secure with 16 x screws (O).

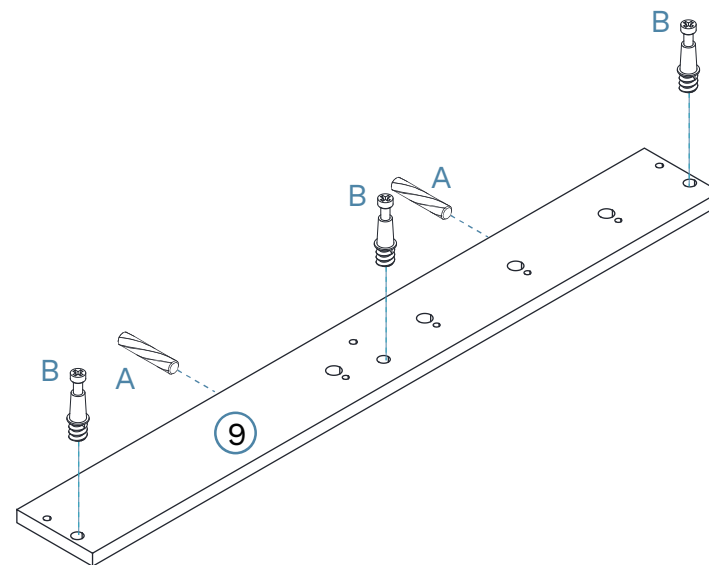
Kids Cottage Kitchen

13



Insert 2 x panels [8] to step 12 assemble the piece as shown.

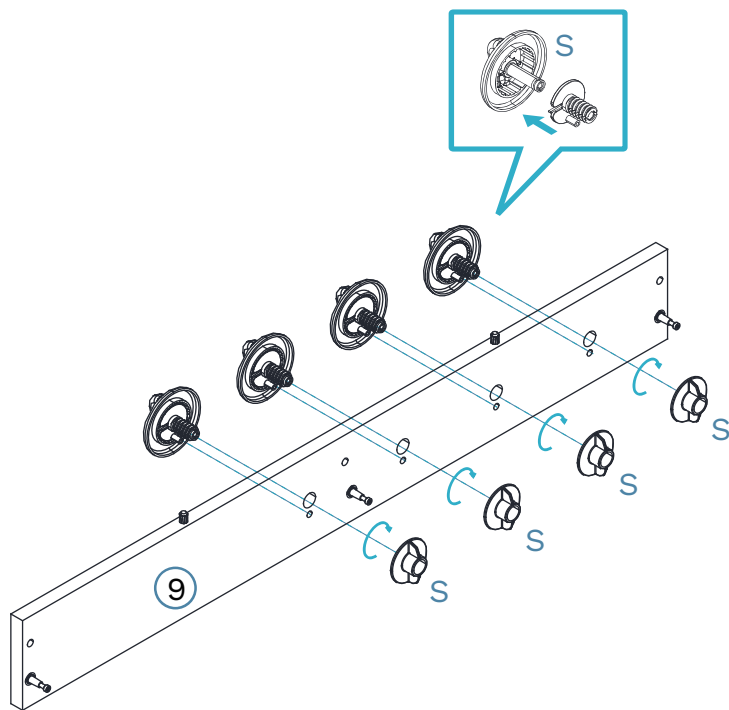
14



Insert 2 x dowels (A) to panel [9]. Fix 3 x cam bolts (B) to panel [9] as shown.

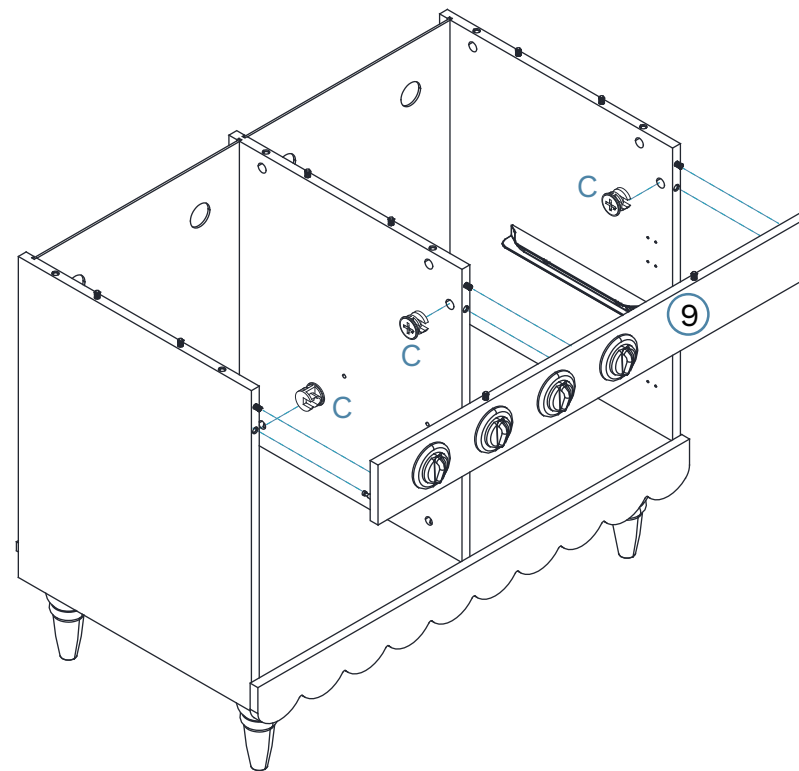
Kids Cottage Kitchen

15



Attach 4 x switches (S) into panel [9], in order to guarantee the switches move smoothly, do not lock the rotary knob tightly.

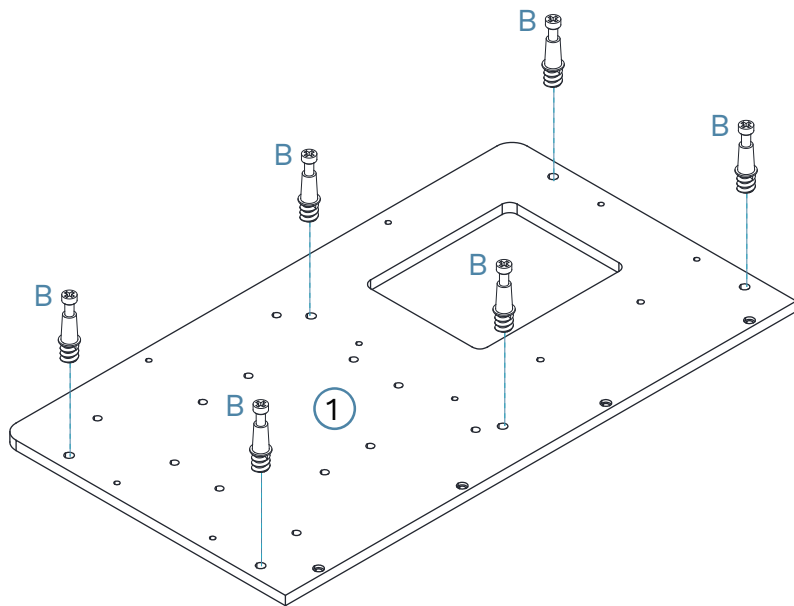
16



Attach panel [9] to step 13 assemble the piece and secure with 3 x cams (C).

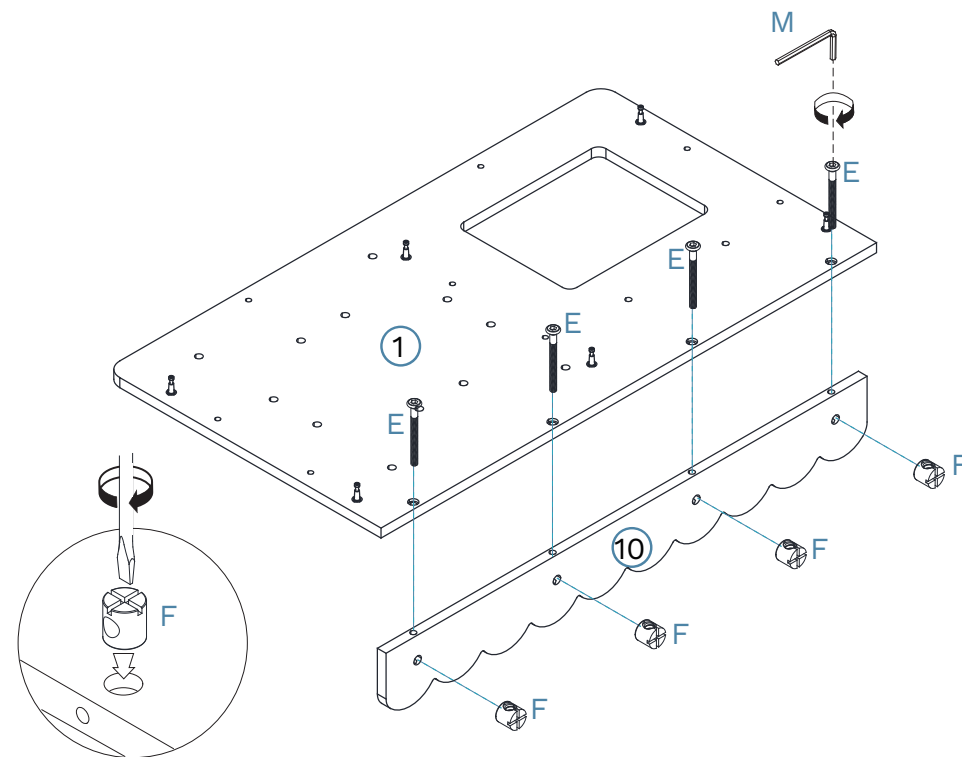
Kids Cottage Kitchen

17



Fix 6 x cam bolts (B) to panel [1].

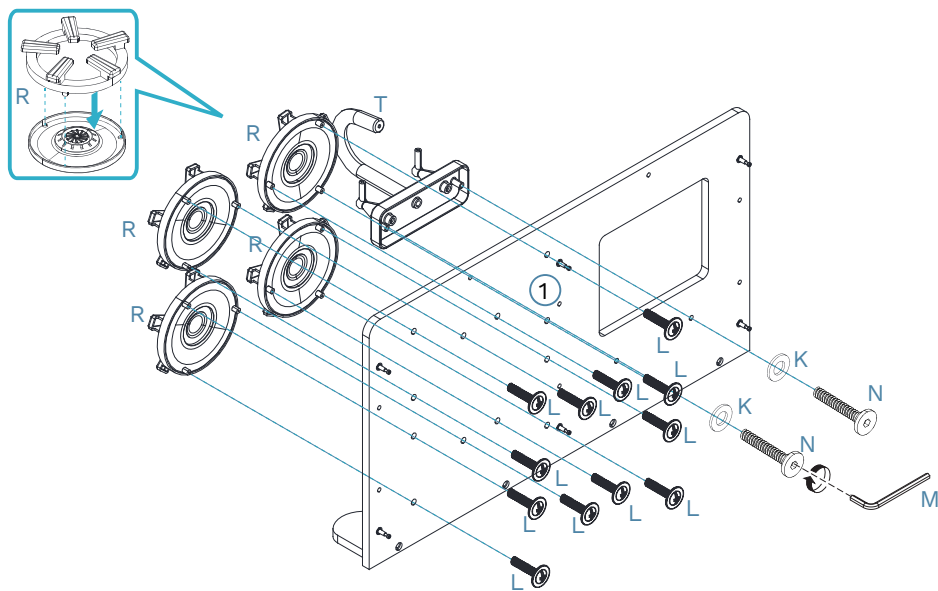
18



Insert 4 x nuts (F) to panel [10] as shown. Attach panel [10] to panel [1] and secure with 4 x screws (E) and allen key (M).

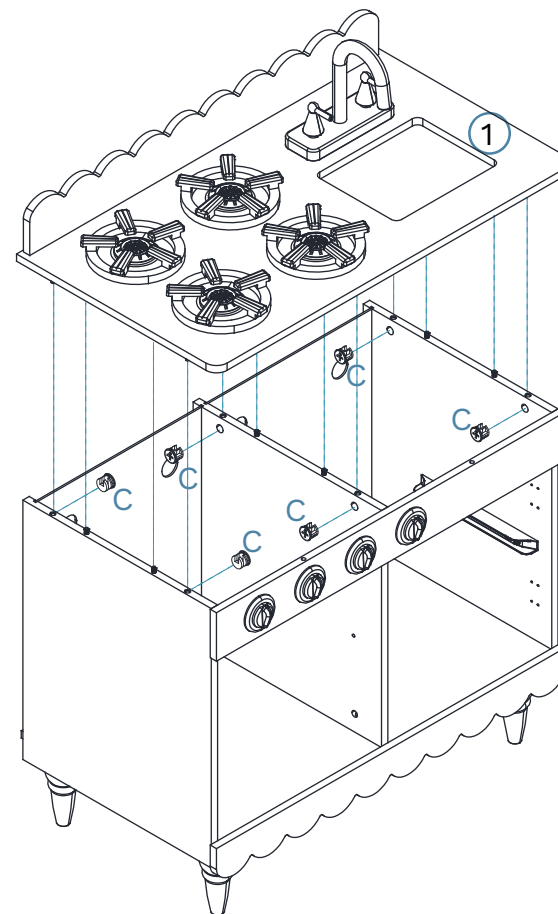
Kids Cottage Kitchen

19



Attach 1 x tap (T) to panel [1] and secure with 2 x screws (N) and 2 x washer (K). Tighten with an Allen Key (M). Assemble 4 x burners (R) as shown. Attach 4 x burners (R) to panel [1] and secure with 12 x screws (L). Tighten with a screwdriver.

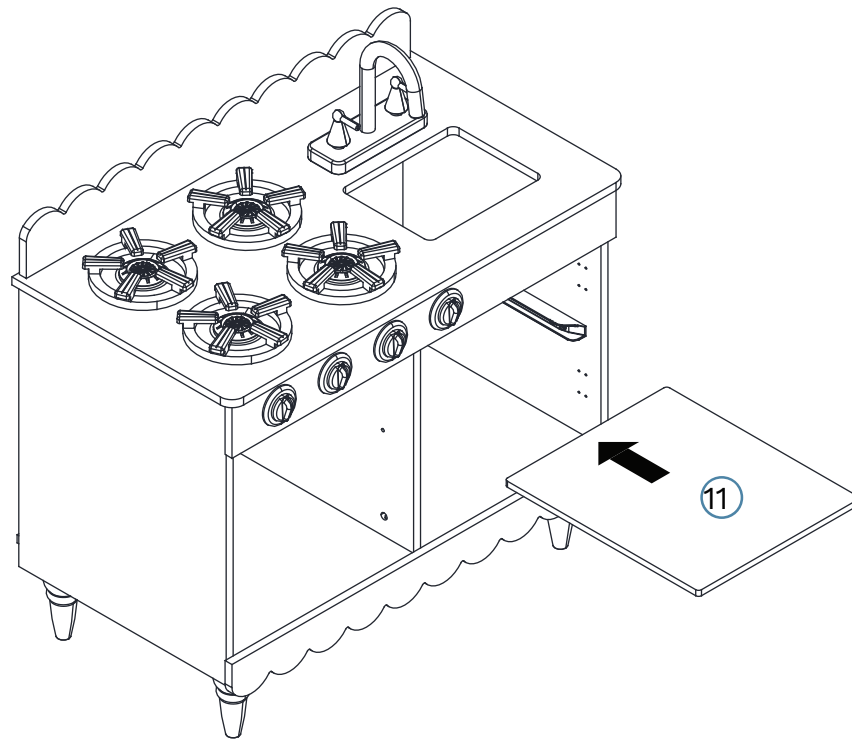
20



Attach step 19 assemble the piece to step 16 assemble the piece and secure with 6 x cams (C).

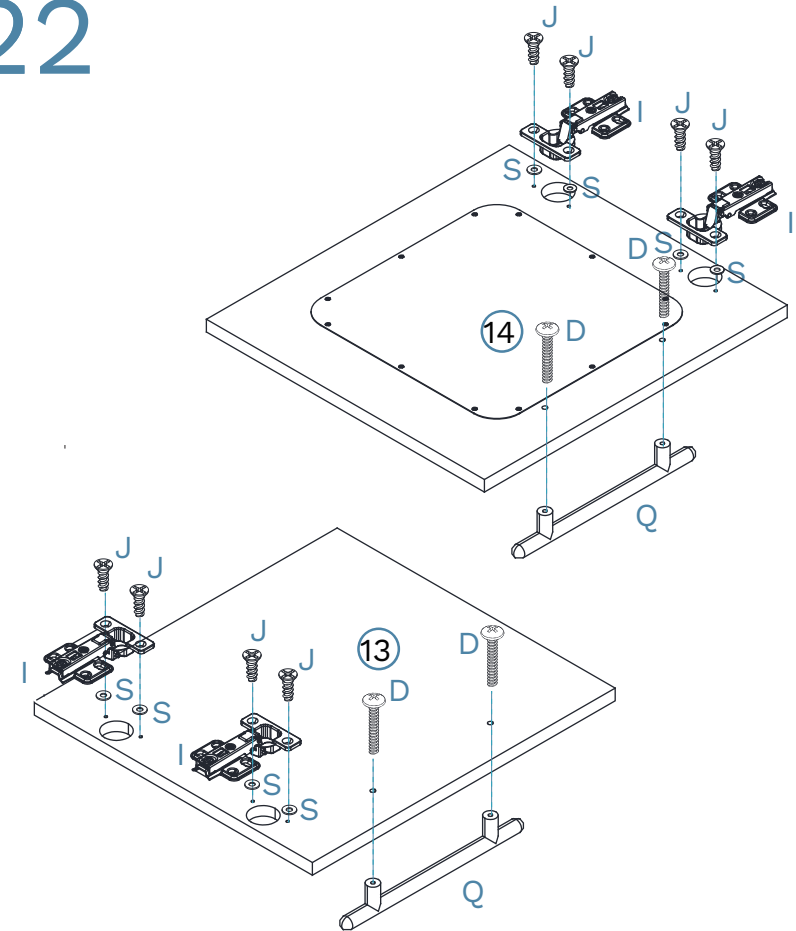
Kids Cottage Kitchen

21



Insert panel [11] to step 20 assemble the piece as shown.

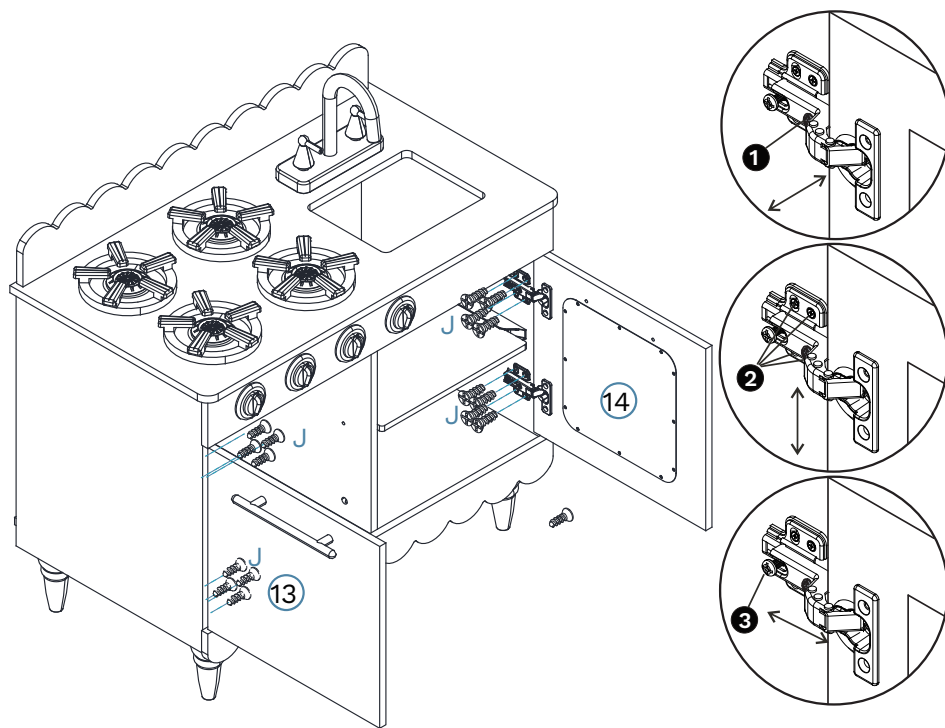
22



Attach 2 x handles (Q) to panels [13] and [14] and secure with 4 x screws (D).
Attach 4 x hinges (I) and 8 x washer (S) to panels [13] and [14] and secure with 8 x screws (J).

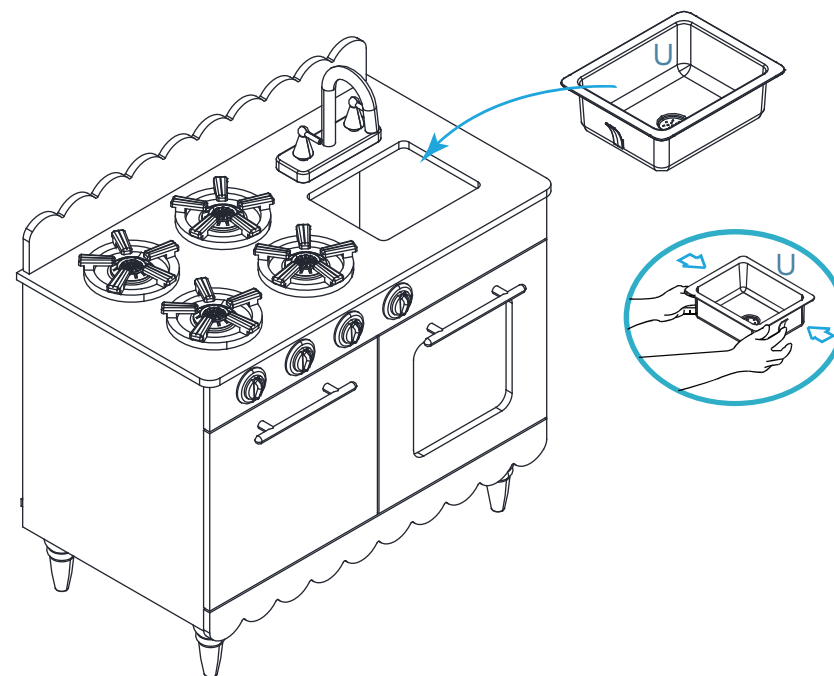
Kids Cottage Kitchen

23



Attach panels [13] and [14] to step 21 assemble the piece and secure with 16 x screws (J).

24



Insert 1 x sink (U) to step 13 assemble the piece as shown.